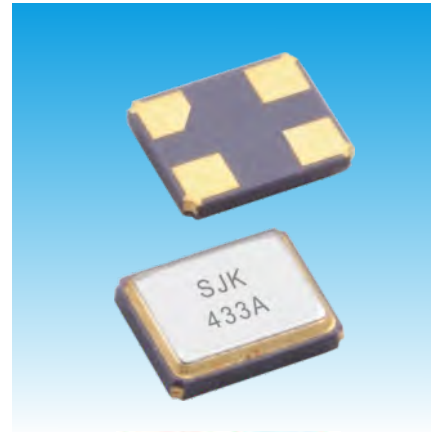


### Features

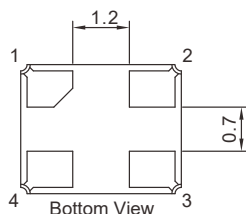
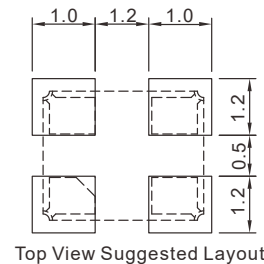
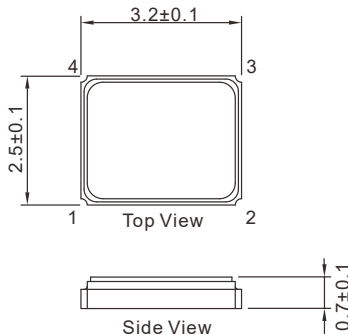
- Ultra Smallest Size 3.2×2.5×0.68 mm
- Surface Mount Package (SMD)
- 1-Port SAW Resonator
- Most Economic Package
- Electrostatic Sensitive Device (ESD)
- Automatic Mounting and Reflow Soldering
- Applications: Automotive Electronics, Remote Control, Security, Alarm, etc.
- RoHS Compliant & Pb Free



### Standard Specifications

Item /Type		Minimum	Typical	Maximum	Unit
Center Frequency	Absolute Frequency	315, 433.92, or specify			MHz
	Frequency Tolerance		±75		kHz
Insertion Loss (Min.)			1.5	2.0	dB
Quality Factor	Unloaded Q		18362		
	50Ω loaded Q		2150		
Temperature Stability	Turnover Temperature	20	40	55	°C
	Turnover Frequency		F <sub>c</sub>		
	Frequency Temperature Coefficient		0.032		ppm/°C
Frequency Aging	Absolute Value During The First Year		≤10		ppm/yr
DC Insulation Resistance Between Any Two Pins		1.0			MΩ
RF Equivalent RLC Model	Motional Resistance		13.2	18.0	Ω
	Motional Inductance		89.4	110.2	μH
	Motional Capacitance		1.5		fF
	Static Capacitance	1.45	1.75	2.05	pF
Operating Temperature		-40		+85	°C
Storage Temperature		-55		+125	°C
DC Voltage			10		V

### Dimensions [mm]



### Pin Function

Pin No.	Function
1	Input /Output
2	GND
3	Input /Output
4	GND