

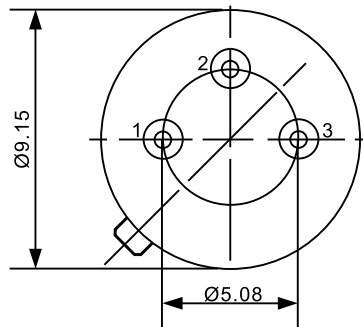
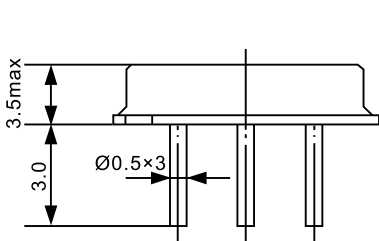
Features

- 1-Port Resonator
- Metal Case Format TO-39
- Package Size 9.15x9.15x3.5 mm
- RoHS Compatible
- Package Code TO-39
- Electrostatic Sensitive Device (ESD)


Standard Specifications

P/N	Center Frequency (MHz)	Frequency Tolerance (kHz)	Insertion Loss (dB)	Package Code
R303.825	303.825	±30 /±75	1.3	TO-39
R303.875	303.875	±30 /±75	1.2	TO-39
R310	310	±30 /±75	1.5	TO-39
R315	315	±30 /±75	1.5	TO-39
R316.8	316.8	±30 /±75	1.2	TO-39
R330	330	±30 /±75	1.6	TO-39
R350	350	±30 /±75	1.3	TO-39
R360	360	±30 /±75	1.4	TO-39
R370	370	±30 /±75	1.5	TO-39
R390	390	±30 /±75	1.5	TO-39
R407.3	407.3	±30 /±75	1.3	TO-39
R418	418	±30 /±75	1.4	TO-39
R433	433.92	±30 /±75	1.9	TO-39
R868.35	868.35	±75 /±150	2.1	TO-39

For other frequencies and specifications, please contact our sales department.

Dimensions [mm]

Pin Function

Pin No.	Function
1	Input /Output
3	GND
2	Output /Input