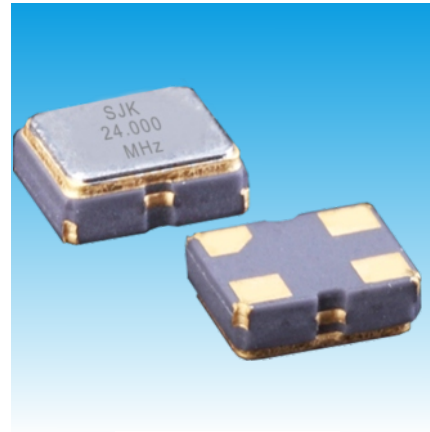
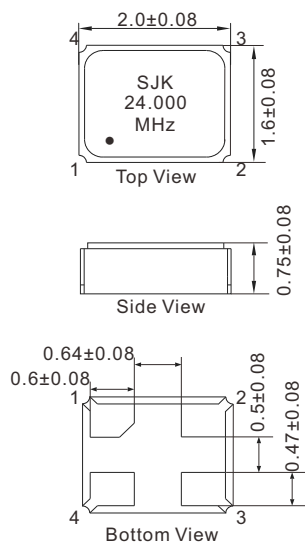


**Features**

- 2016 size, low profile of 0.75mm
- Frequency range from 4MHz to 54MHz
- Low voltage operation
- Low current consumption
- 3-state function
- Automatic mounting and reflow soldering
- Application: *Telecommunications, GPS, Smartphone, NFC, etc.*
- RoHS Compliant & Pb Free


**Standard Specifications**

Type	1N SMD Crystal Oscillator
Output Type	CMOS
Output Load	15pF, or specify
Oscillator Mode	Fundamental
Supply Voltage	1.8~3.3V
Frequency Range	4~54 MHz
Frequency Stability	±20ppm, ±50ppm
Operating Temperature	-40~+85°C, or specify
Storage Temperature	-55~+125°C
Voltage Vol (Max.) / Voh (Min.)	0.1VDD / 0.9 VDD
Rise (Tr) / Fall (Tf) Time	5ns Max.
Supply Current	5mA Max.
Symmetry	45~55%
Start-up Time	5ms Max.
Phase Jitter (12KHz~20MHz)	1ps Max.
Aging (at 25°C)	±3ppm /Year Max.
Packing Units	3000pcs. /Reel

**Dimensions [mm]**

**Pin Functions**

Pin No.	Function
1	OE (Output Enable)
2	GND
3	Output
4	Vcc

